

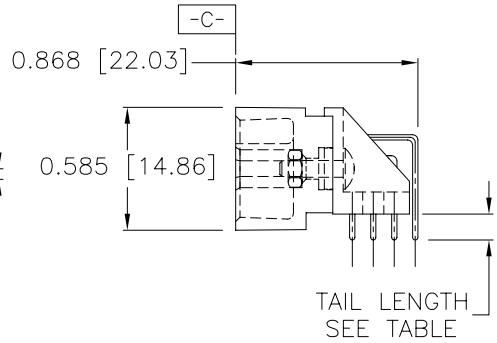
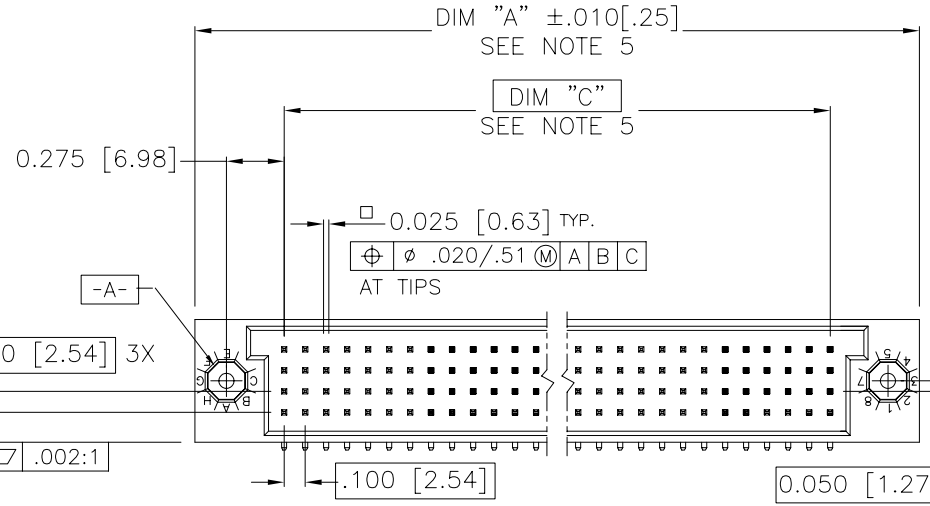
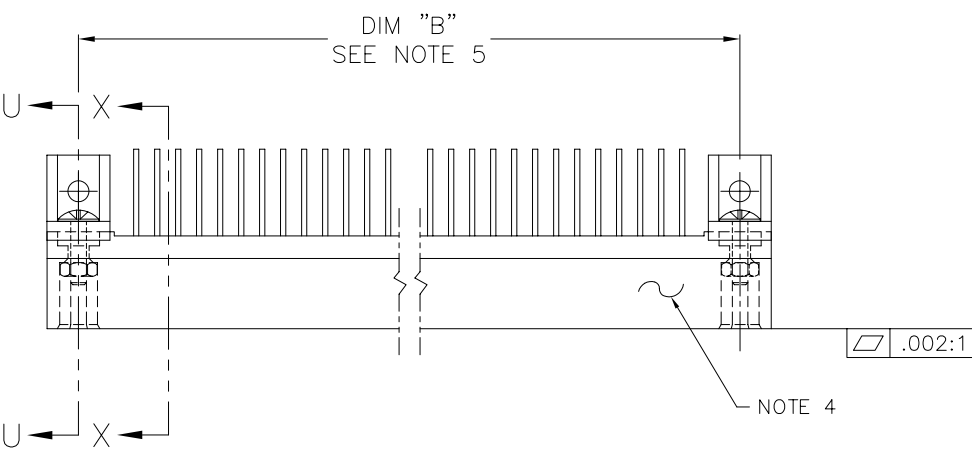


FCIconnect.com

Copyright FCI

PRODUCT NUMBER  
SEE TABLE

1 | 2 | 3 | 4 | 5 | 6

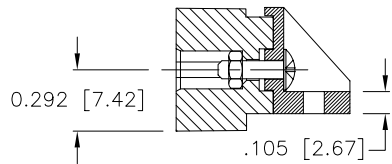


mat'l. code SEE NOTE 3		surface ISO 1302 <input checked="" type="checkbox"/>		tolerance ISO 406 ISO 1101		projection 		product family HPC	
ltr	ecn	no	dr	date	tolerances unless otherwise specified		title		
J	v90523	HTB		3/1/99	angles	linear	.XX±.01/.3	4 ROW R/A HEADER SOLDER TO BOARD, 0 G.P.	
K	v00262	JWS		1/26/00			.XXX±.005/.13		
L	v05-0740	DAI		10/7/05	0'±2'		.XXXX±.0020/.051	dwg no 50122	
M	v05-1040	HTB	11/14/05	dr	D.SHEAFFER		6/5/91		
N	M06-0283	MHT	7/27/06	enr	S.CLARK		6/5/91	sheet 1 of 3 size A3	
					chr	S.CLARK	6/5/91	type Product Customer Drawing	
					appd	S.CLARK	6/5/91		
sheet index	revision	N	N	N					
	sheet	1	2	3					

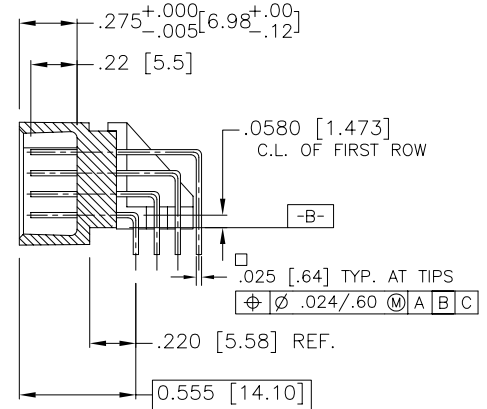
form: A3

1 | 2 | 3 | 4 | 5 | 6

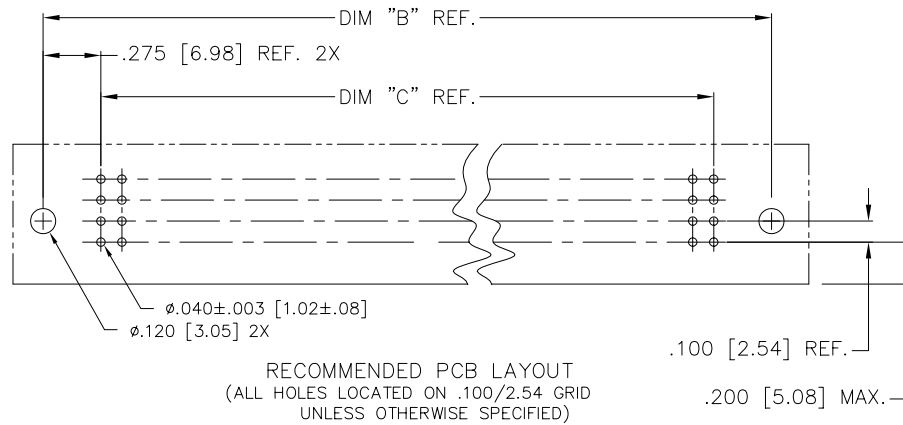
PRODUCT NO.  
SEE TABLE



SECTION U-U



SECTION X-X



RECOMMENDED PCB LAYOUT  
(ALL HOLES LOCATED ON .100/2.54 GRID  
UNLESS OTHERWISE SPECIFIED)



Copyright FCI

mat'l. code SEE NOTE 3		surface ISO 1302 ✓	tolerance ISO 406 ISO 1101	projection [Symbol]	product family HPC
ltr	ecn	no	dr	date	tolerances unless otherwise specified
N					angles linear .xx±.01/.3
					0°±2' .xxx±.005/.13
					.xxx±.0020/.051
			dr	D.SHEAFFER	6/5/91
			enr	S.CLARK	6/5/91
			chr	S.CLARK	6/5/91
			appd	S.CLARK	6/5/91
sheet	revision				
index	sheet				
				scale 1:1	title 4 ROW R/A HEADER SOLDER TO BOARD, 0 G.P.
				FCI logo	dwg no 50122
					sheet 2 of 3 size A3
				type	Product Customer Drawing

PRODUCT NUMBER	NUMBER OF POSITIONS SEE NOTE 2	TAIL LENGTH REF.	TERMINAL PLATING
50122 -1YYYH	YYY	.180/4.57	30μ"/.76μ GOLD
50122 -1YYYJ	YYY	.120/3.05	30μ"/.76μ GOLD
50122 -3YYYH	YYY	.180/4.57	50μ"/1.27μ GOLD
50122 -3YYYJ	YYY	.120/3.05	50μ"/1.27μ GOLD
50122 -5YYYH	YYY	.180/4.57	30μ"/.76μ GXT
50122 -5YYYHLF	YYY	.180/4.57	30μ"/.76μ GXT
50122 -5YYYJ	YYY	.120/3.05	30μ"/.76μ GXT
50122 -5YYYJLF	YYY	.120/3.05	30μ"/.76μ GXT

NOTES:

1. PRODUCT NUMBERING CODE:  
 50122 - X YYY Z LF  
 LEAD FREE (OPTIONAL)  
 TAIL LENGTH SEE TABLE  
 NO. OF POSITIONS SEE NOTE 2  
 PLATING SEE TABLE  
 BASE NUMBER

- PRODUCT NUMBERING CODE FOR  
 SELECT LOAD PART NUMBERS:  
 50122 - XXYYY LF  
 LEAD FREE (OPTIONAL)  
 SEQUENCE NUMBER  
 ALWAYS 'XX'  
 BASE NUMBER

2. THIS PRODUCT IS CONFIGURED IN SIZES OF 6 THRU 100 COLUMNS IN INCREMENTS OF ONE. i.e.: 6,7,8,9,.....98,99,100.
3. HOUSING MATERIAL: GLASS AND MINERAL FILLED HIGH TEMP. THERMOPLASTIC. FLAME RETARDANT PER UL94V-0. COLOR: BLACK. PIN MATERIAL: PHOS. BRONZE
4. MANUFACTURE'S NAME, P/N, AND LOT CODE TO APPEAR ON THIS SURFACE PER BUS-12-108.
5. LENGTH FORMULAS:  
 DIM "A" = .100/2.54 x NO. OF COLUMNS + .75/19.1  
 DIM "B" = .100/2.54 x NO. OF COLUMNS + .450/11.43  
 DIM "C" = .100/2.54 x NO. OF COLUMNS - .100/2.54

6. THIS PRODUCT (WITH "LF" SUFFIX) MEETS EUROPEAN UNION DIRECTIVES AND OTHER COUNTRY REGULATIONS AS DESCRIBED IN GS-22-008.
7. THIS HOUSING WILL WITHSTAND EXPOSURE TO 260° C PEAK TEMPERATURE FOR 10-30 SECONDS IN A CONVECTION, INFRA-RED OR VAPOR PHASE REFLOW OVEN.

mat'l. code SEE NOTE 3		surface ISO 1302 <input checked="" type="checkbox"/>		tolerance ISO 406 ISO 1101		projection 		product family HPC	
ltr	ecn	no	dr	date	tolerances unless otherwise specified			title	
N					angles	linear	.XX±.01/.3	INCH/MM	
					0'±2'		.XXX±.005/.13	scale 1:1	
					dr	D.SHEAFFER	6/5/91	dwg no	
					enr	S.CLARK	6/5/91	sheet 3 of 3 size	
					chr	S.CLARK	6/5/91	50122 A3	
					appd	S.CLARK	6/5/91	type Product Customer Drawing	
sheet index	revision sheet								

FCJ  
FCIconnect.com  
Copyright FCI